

LED WIDE BEAM ANGLE CANOPY

FIELD SELECTABLE | WATTAGE AND CCT



Integrated Sensor Port



WIDE BEAM ANGLE FOR BROAD LIGHT COVERAGE

0-10V DIMMING

3 CCT SELECTABLE

3 WATTAGE SELECTABLE

INTEGRATED SENSOR PORT

IK10 VANDAL RESISTANT LENS

50,000 FUNCTIONAL LIFE

EM BATTERY BACKUP CAPABLE

COMMERCIAL AND INDUSTRIAL APPLICATIONS:
Garages, Warehouses, Retail

Experience the versatility of SATCO|NUVO's LED Wide Beam Angle Canopy, equipped with cutting-edge field-selectable capabilities. Choose from three color temperatures and three wattage options. Additionally, the integrated sensor port makes the installations of optional motion sensors a simple process. For added durability, the canopy features an IK10 rated vandal-resistant lens, protecting against damage, and an IP65 rating, safeguarding against the elements in demanding environments



GENERAL SPECIFICATIONS

Input Voltage, Frequency: 120V-277V, 50/60Hz
CCT: 3000K/4000K/5000K
Dimmable: 0-10V Dimming
Impact Rating: IK10
CRI: 80
Construction: Die Cast Aluminum

Temperature: Warm Light to Natural Light
Lens Material: Polycarbonate
Functional Life: 50,000 Hours
Location Rating: Wet, IP65
Ambient Operating Temperature: -40°C (-40°F) to +50°C (+122°F)
Motion Sensor: Optional Add-On
Warranty: 5 Years



ITEM SPECIFICATIONS / ORDER INFO

Item	Finish	Wattage	Lumens	Efficacy	Surge Protection Rating	UPC	DLC ID
65-634	White	20W/30W/45W	2663lm-6288lm	Up to 149 LPW	2.5kV	045923654176	S-32C65E
65-635	White	60W/75W/90W	7920lm-12557lm	Up to 140 LPW	6kV	045923654183	S-7KZD81
65-636	Bronze	20W/30W/45W	2663lm-6288lm	Up to 149 LPW	2.5kV	045923654190	S-32C65E
65-637	Bronze	60W/75W/90W	7920lm-12557lm	Up to 140 LPW	6kV	045923654206	S-7KZD81

ACCESSORIES (Sold Separately)

Item	Description	UPC
65-633	EM BATTERY BACKUP DRIVER	045923654909
86-217	PIR SENSOR/6 METER	045923862175
86-218	MICROWAVE SENSOR	045923666353
86-220	PIR SENSOR/12 METER	045923862205
86-219	REMOTE FOR ADD ON SENSORS	045923665967



EM Wide Beam Ang Canopy (65-633)



PIR Sensor/6 Meter (86-217)



Microwave Sensor (86-218)



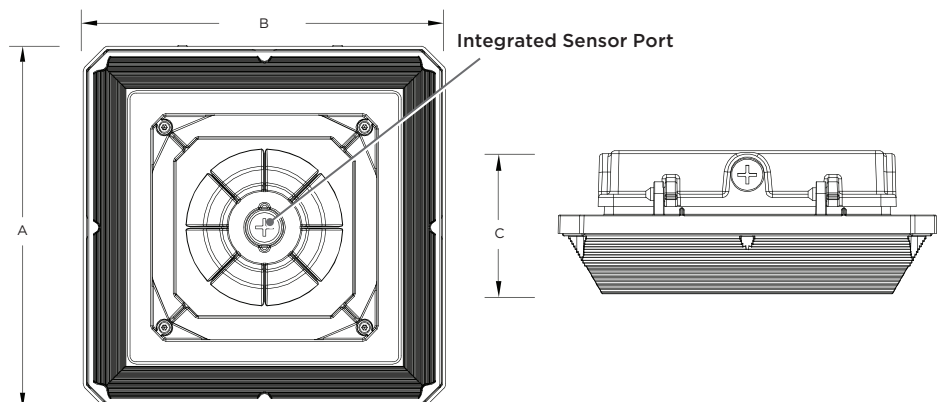
Remote for 86/218 (86-219)



PIR Sensor/12 Meter (86-220)

DIMENSIONS

Item	A - Length	B - Width	C - Height
65-634	9.57"	9.57"	3.62"
65-635	9.57"	9.57"	3.62"
65-636	9.57"	9.57"	3.62"
65-637	9.57"	9.57"	3.62"



Specifications are subject to change without prior notice.

WARNING: Some products included in this specification sheet may be subject to the warning requirements of California's Proposition 65. Please refer to your product packaging for more information.